



# Widomaker *DSL*

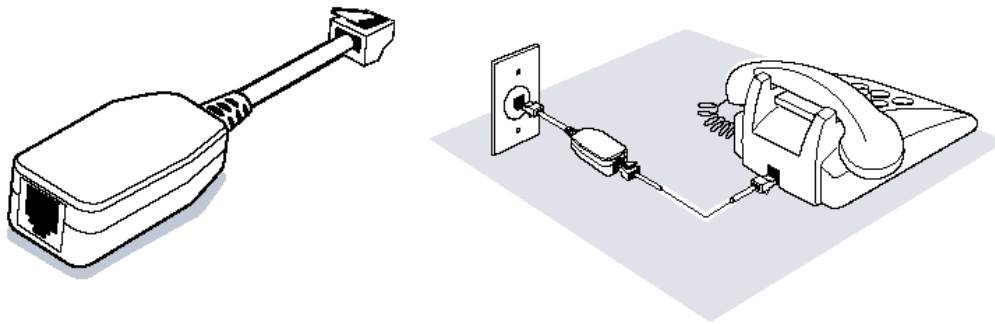
## DSL INSTALLATION SELF-INSTALL GUIDE

This installation guide will help you install your NEW WidomakerDSL hardware and software. Please make sure that your computer has a working Ethernet/Network card (NIC).

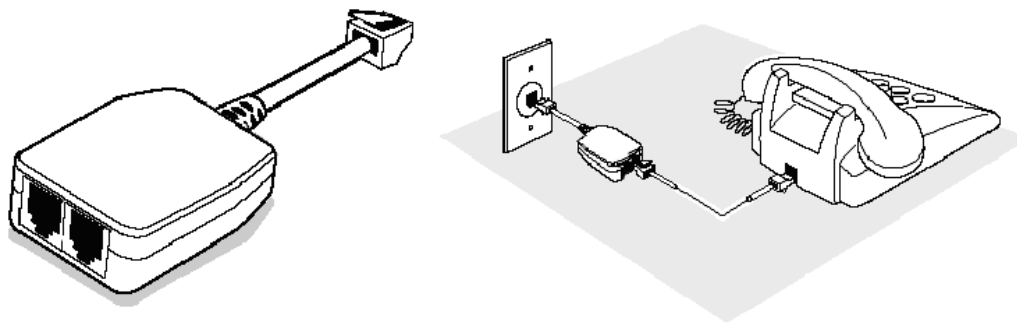
## INSTALLING YOUR WIDOMAKERDSL HARDWARE

### Step 1: Install a Filter on Each Phone

Connect one filter to each phone jack that you are using a phone or fax/modem on. Some self install kits may include a dual-filter. Please use the Figure that matches your included filter.



*Figure 1: Left, a filter. Right, Installing a filter.*



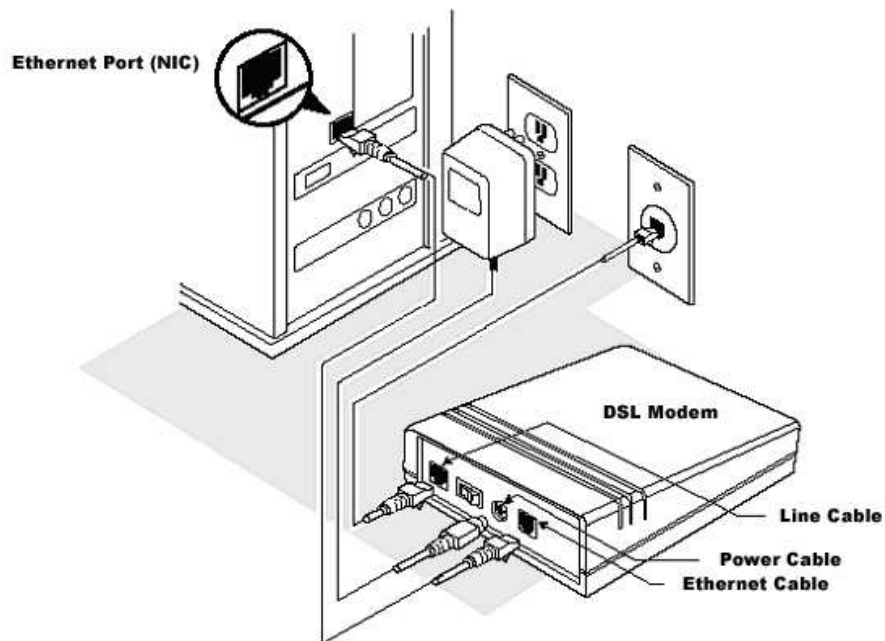
*Figure 2: Left, a dual-filter (1 port for phone and 1 port for DSL modem). Right, Installing a dual-filter.*

Check for a dial tone on each phone that you have installed filters on.

## Step 2: Installing the DSL Modem

Connect the DSL modem to your computer's Ethernet port using the included Ethernet cable. See figure 3.

Next, connect the DSL modem to your phone jack using the included data cable. Also see figure 3.



*Figure 3: Installing your DSL Modem*

Finally, connect the power supply included with your DSL modem into a power outlet.

If you would like to use a telephone on the same jack as your DSL modem, you will need the Y-Adapter and filter shown in figure 3. NOTE: there should be no filter leading to the DSL Modem.

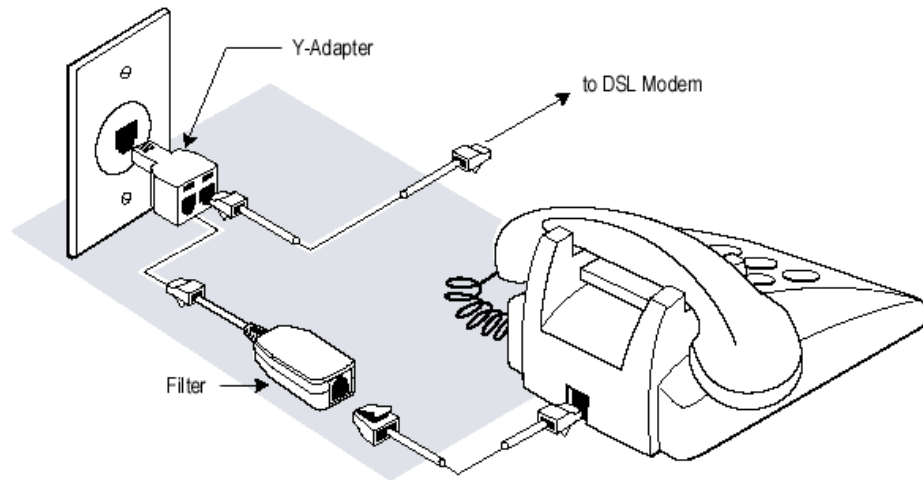


Figure 3: Installing a DSL Modem and your telephone together

### Step 3: Check for a DSL Signal

Turn on the DSL Modem.

Depending on the model, the modem will have a **Link**, **Ready**, **DSL**, **ADSL**, or **Sync** light. This will tell you if your DSL modem has connected to the DSL provider. The light should turn green within two (2) minutes.